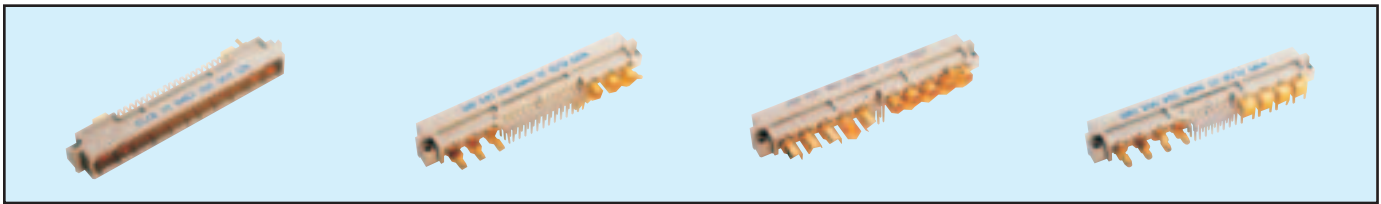


Male Style M



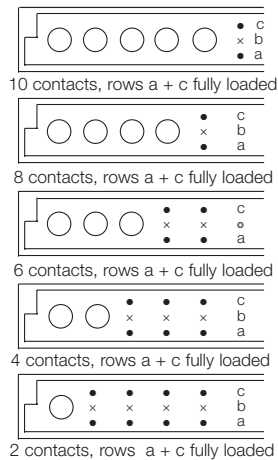
Series 8483 – a + c loaded



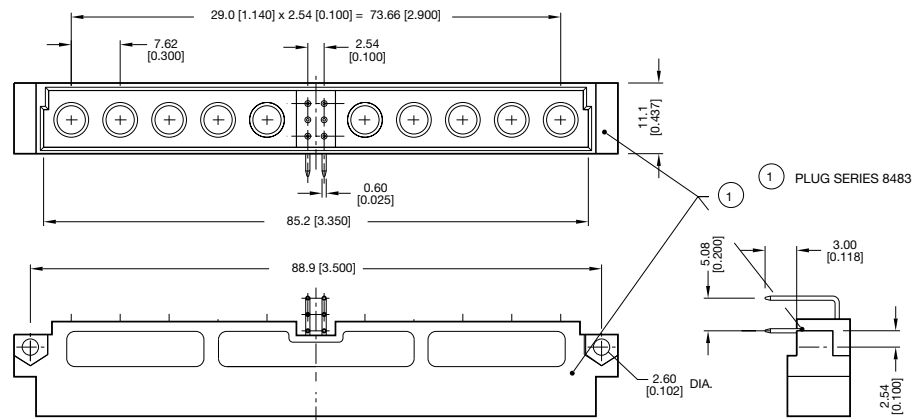
Contact Design and Termination Length	No. of Cavities For Signal Contacts	No. of Cavities for Special Contacts	Loading Description	Part Number Performance classes according to DIN 41612	
				II	I
3.0 mm (Y) Straight	6 (3 x 2)	10	a + c fully loaded	10 8483 006 001 026	10 8483 006 001 050
	24 (3 x 8)	8	a + c fully loaded	10 8483 024 001 026	10 8483 024 001 050
	42 (3 x 14)	6	a + c fully loaded	10 8483 042 001 026	10 8483 042 001 050
	60 (3 x 20)	4	a + c fully loaded	10 8483 060 001 026	10 8483 060 001 050
	78 (3 x 26)	2	a + c fully loaded	10 8483 078 001 026	10 8483 078 001 050
11.4 mm (Y) Straight	6 (3 x 2)	10	a + c fully loaded	10 8483 006 002 026	10 8483 006 002 050
	24 (3 x 8)	8	a + c fully loaded	10 8483 024 002 026	10 8483 024 002 050
	42 (3 x 14)	6	a + c fully loaded	10 8483 042 002 026	10 8483 042 002 050
	60 (3 x 20)	4	a + c fully loaded	10 8483 060 002 026	10 8483 060 002 050
	78 (3 x 26)	2	a + c fully loaded	10 8483 078 002 026	10 8483 078 002 050
3.0 mm (Y) Right Angled	6 (3 x 2)	10	a + c fully loaded	10 8483 006 003 026	10 8483 006 003 050
	24 (3 x 8)	8	a + c fully loaded	10 8483 024 003 026	10 8483 024 003 050
	42 (3 x 14)	6	a + c fully loaded	10 8483 042 003 026	10 8483 042 003 050
	60 (3 x 20)	4	a + c fully loaded	10 8483 060 003 026	10 8483 060 003 050
	78 (3 x 26)	2	a + c fully loaded	10 8483 078 003 026	10 8483 078 003 050
11.3mm (Y) Right Angled	6 (3 x 2)	10	a + c fully loaded	10 8483 006 004 026	10 8483 006 004 050
	24 (3 x 8)	8	a + c fully loaded	10 8483 024 004 026	10 8483 024 004 050
	42 (3 x 14)	6	a + c fully loaded	10 8483 042 004 026	10 8483 042 004 050
	60 (3 x 20)	4	a + c fully loaded	10 8483 060 004 026	10 8483 060 004 050
	78 (3 x 26)	2	a + c fully loaded	10 8483 078 004 026	10 8483 078 004 050
Solder eyelet rows a + c 4.8 mm row b 7.5 mm	6 (3 x 2)	10	a + c fully loaded	10 8483 006 005 026	10 8483 006 005 050
	24 (3 x 8)	8	a + c fully loaded	10 8483 024 005 026	10 8483 024 005 050
	42 (3 x 14)	6	a + c fully loaded	10 8483 042 005 026	10 8483 042 005 050
	60 (3 x 20)	4	a + c fully loaded	10 8483 060 005 026	10 8483 060 005 050
	78 (3 x 26)	2	a + c fully loaded	10 8483 078 005 026	10 8483 078 005 050

NB: Additional Plating & Loading Variations: Please contact your local AVX sales office or distributor.

LOADING DESCRIPTION



DIMENSIONS



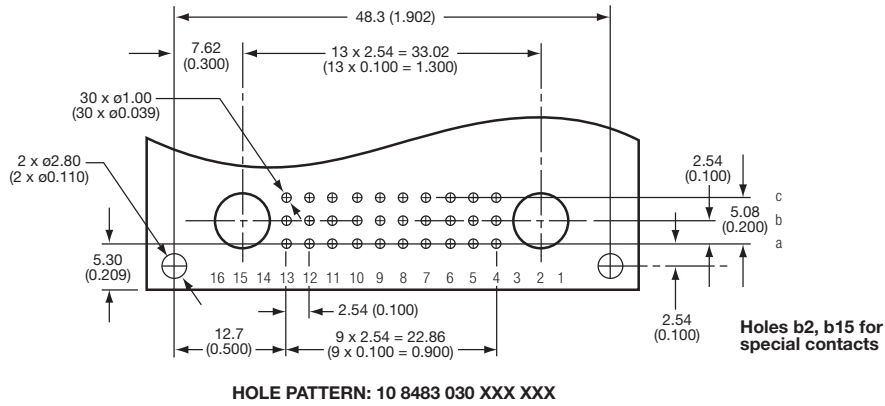
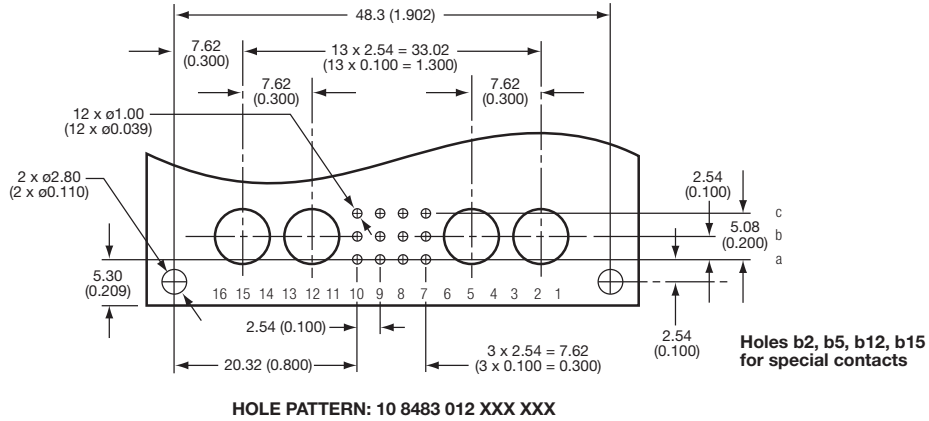
See Page 45 for board layout

Style M Connectors



Board Layouts

STYLE 1/2 M



STYLE M

